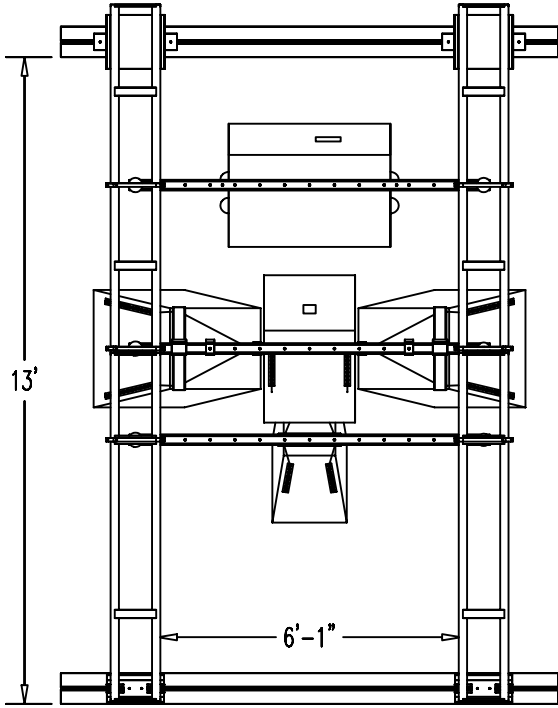
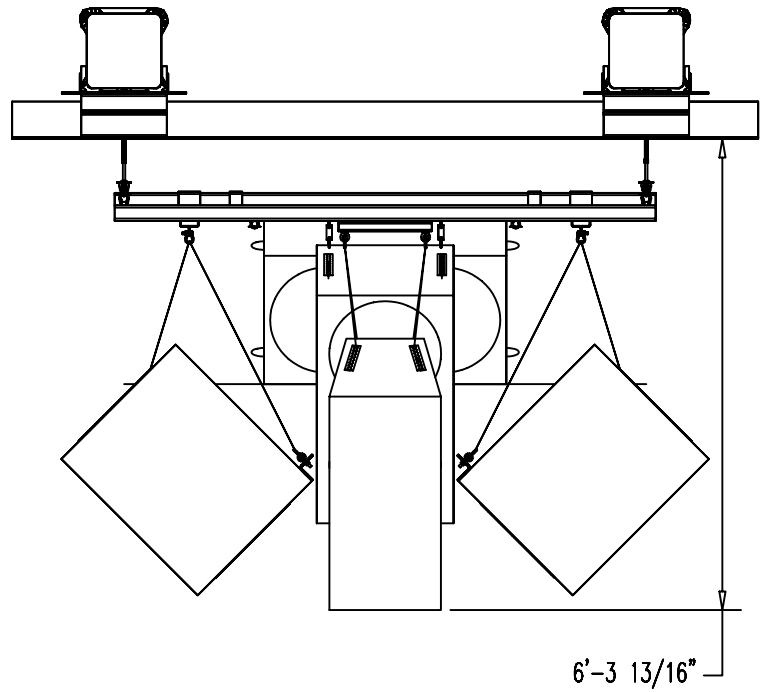


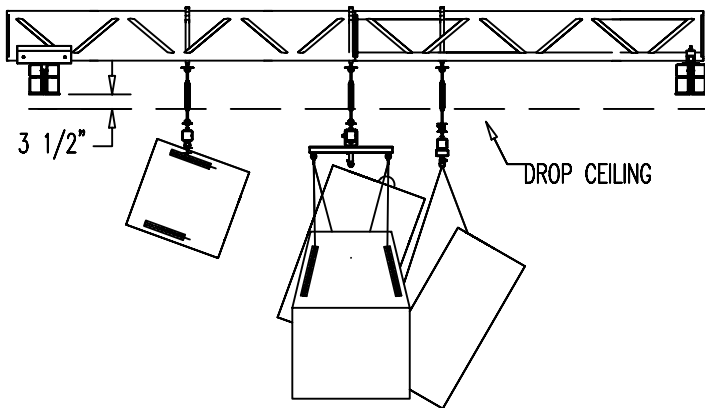
TOP VIEW
SCALE: 1/4" = 1'



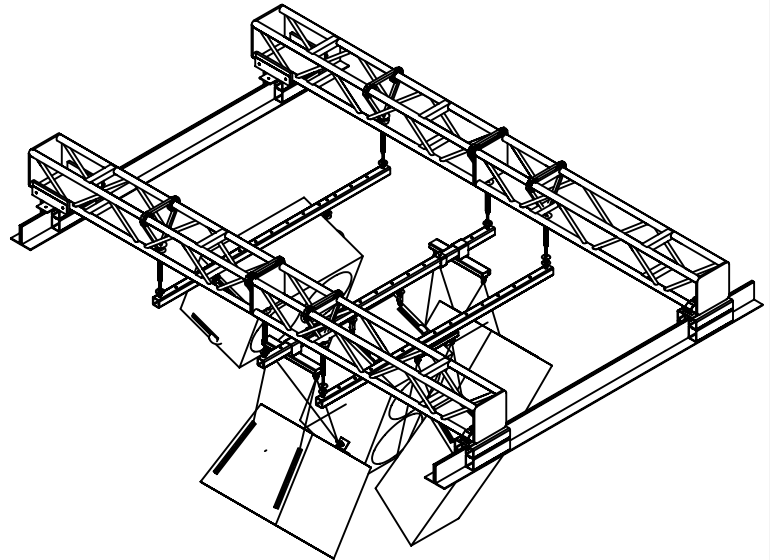
FRONT ELEVATION
SCALE: 3/8" = 1'



SIDE ELEVATION
SCALE: 1/4" = 1'



PERSPECTIVE VIEW
SCALE: n/a



NOTES:

1. FABRICATION TOLERANCES ARE $\pm 1/16"$.
2. ALL EYEBOLTS SHOULD BE TURNED SO THAT THE LOAD IS IN THE PLANE OF THE EYE.

Polar Focus, Inc.
P.O. Box 3, 217 Russell St.
Hadley MA 01035
413-586-4444
413-665-2444 fax
www.polarfocus.com

Submittal H3225-3:
Shaker Heights

Four Views

FILE: H3225-3.dwg

DRAWN BY:
Matt Shutta Nov-8-2007

DWG. NO.
H3225-3 S-001

COPYRIGHT © 2007 Polar Focus, Inc.
POLAR FOCUS® is a Registered Trademark of Polar Focus, Inc.

SCALE: per panel

REV SIZE A SHEET 1 of 1